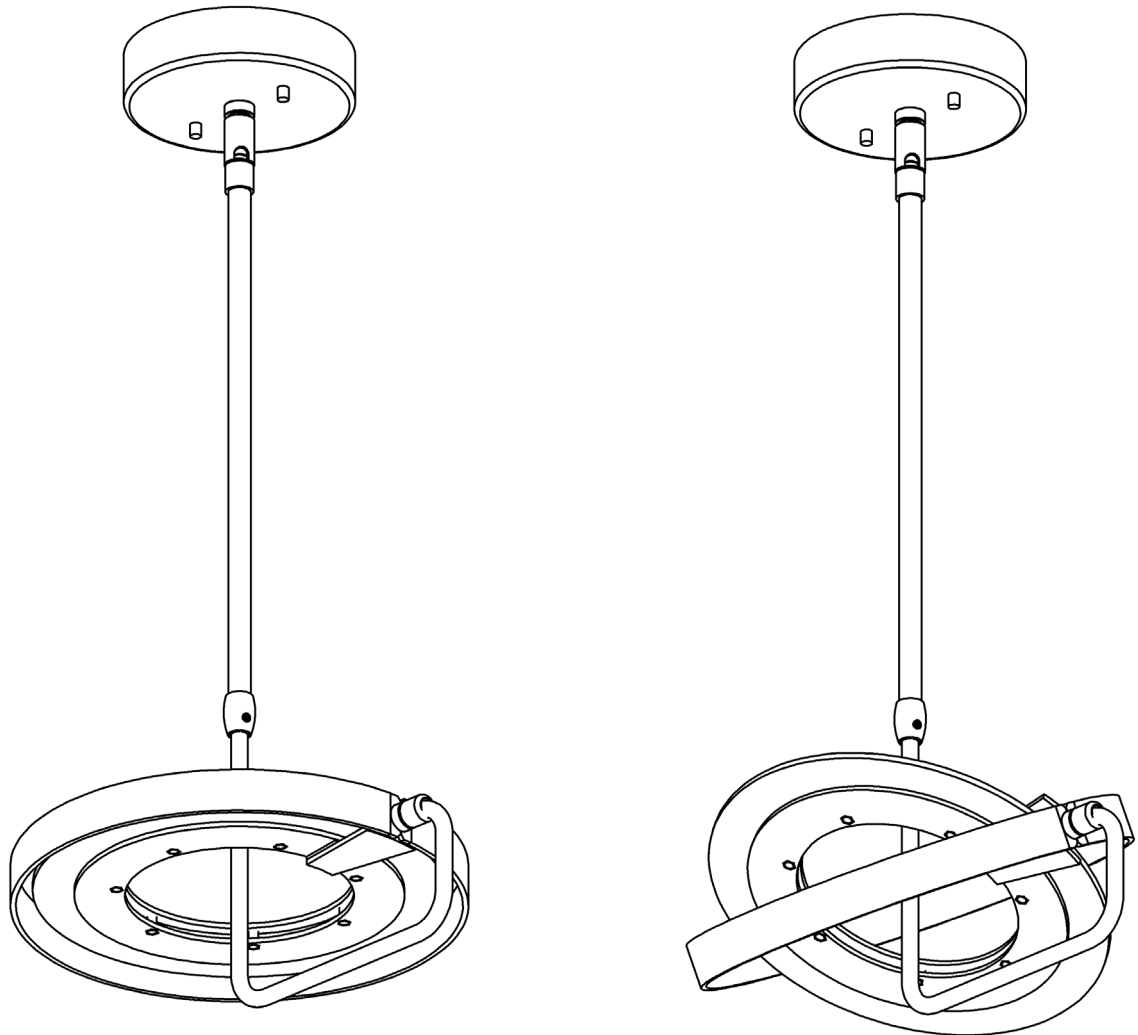


# Assembly & Installation Instructions

## Ringo Kitchen Pendant 139851D

A456



139851D Ringo KitchenPendant



vermont  
modern  
BY HUBBARDTON FORGE

Castleton, Vermont USA | VERMONTMODERN.COM

36918

# Assembly & Installation Instructions

Ringo Kitchen Pendant 139851D

A456

## Component Parts

<b>A</b>	<b>Crossbar</b>
<b>B</b>	<b>Threaded Studs (2)</b>
<b>C</b>	<b>Fixture Pipe</b>
<b>D</b>	<b>Canopy</b>
<b>E</b>	<b>Canopy Pipe</b>
<b>F</b>	<b>Clutch</b>
<b>G</b>	<b>Plastic Sleeve</b>
<b>H</b>	<b>Set Screw</b>
<b>I</b>	<b>Ground Screw</b>
<b>J</b>	<b>Swivel</b>
<b>K</b>	<b>Hex Head Nipple</b>
<b>L</b>	<b>Lockwasher</b>
<b>M</b>	<b>Knobs (2)</b>
<b>N</b>	<b>Decorative Ring</b>
<b>O</b>	<b>LED Ring</b>



vermont  
modern  
BY HUBBARDTON FORGE

Castleton, Vermont USA | VERMONTMODERN.COM

36918

# Assembly & Installation Instructions

A456

## Ringo Kitchen Pendant 139851D

**CAUTION: FAILURE TO INSTALL THIS FIXTURE PROPERLY MAY RESULT IN SERIOUS PERSONAL INJURY OR DEATH AND PROPERTY DAMAGE.** We recommend installation by a licensed electrician. This product must be installed in accordance with applicable installation code(s), by a person familiar with the construction and operation of the product and the hazards involved.\*

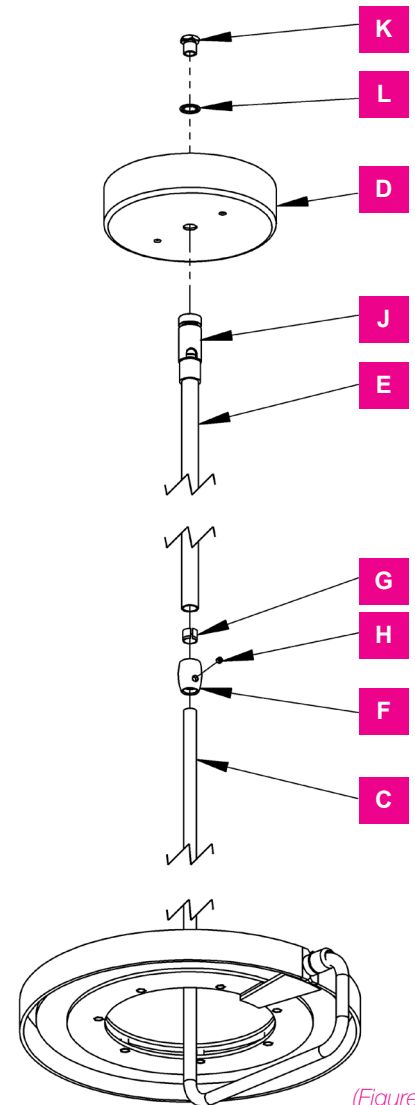
Caution: Do not exceed maximum wattage noted on fixture. Use only recommended bulbs with fixture.

Please Note: After installation extra hardware and accessories are possible due to our kits are used on multiple products and options.

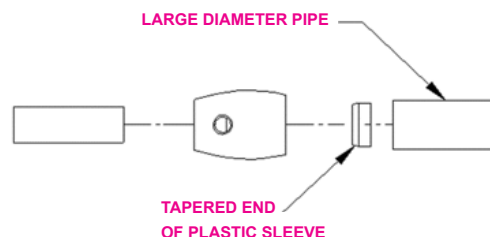
### To Assembly Fixture (Figures 1 & 2)

**CAUTION: BE SURE POWER IS OFF AT THE MAIN BREAKER BOX PRIOR TO INSTALLATION.**

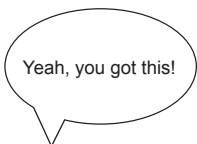
1. Carefully unpack the fixture from the carton.
2. Locate canopy pipe (E). Canopy pipe (E) comes with the clutch (F) attached on one end and a swivel (J) attached to the other end.
3. Remove the hex head nipple (K) and lockwasher (L) from the swivel (J). Place swivel (J) against canopy (D) and secure using lockwasher (L) and hex head nipple (K).
4. Slide the wires from the fixture pipe (C) through the clutch (F), canopy pipe (E) and up through the canopy (D).
5. Unscrew the clutch (F) from the canopy pipe (E); slide it across the wires and onto the fixture pipe (C). Follow this with the plastic sleeve (G), oriented so the tapered end nests in the clutch (F) (Figure 2).
6. Slide the canopy pipe (E) over the fixture pipe (C) as far as necessary to give you the total length of the fixture which you desire. It may be necessary to loosen the set screw (H) in the clutch (F). Be careful not to scratch the pipe surface and to pull excess wire up through the canopy pipe (E). There must be a minimum 1-1/2" of inner pipe inside the outer pipe. (Figure 1).
7. Once desired overall height is reached, tighten the set screw (H) in clutch (F) firmly with hex wrench provided. (Figure 1). Important: To ensure full connection strength, be sure the tapered end of the plastic sleeve is oriented toward the clutch when assembled and securely tighten set screw.
8. In canopy (D), using provided connectors, connect driver wires to led wires (black to black and red to red). Connectors will be attached to end of driver wires.



(Figure 1)



(Figure 2)



vermont  
modern  
BY HUBBARDTON FORGE

Castleton, Vermont USA | VERMONTMODERN.COM

CONTINUED

36918

# Assembly & Installation Instructions

A456

## Ringo Kitchen Pendant 139851D

**CAUTION: FAILURE TO INSTALL THIS FIXTURE PROPERLY MAY RESULT IN SERIOUS PERSONAL INJURY OR DEATH AND PROPERTY DAMAGE.** We recommend installation by a licensed electrician. This product must be installed in accordance with applicable installation code(s), by a person familiar with the construction and operation of the product and the hazards involved.\*

Caution: Do not exceed maximum wattage noted on fixture. Use only recommended bulbs with fixture.

### To Install Fixture (Figure 3)

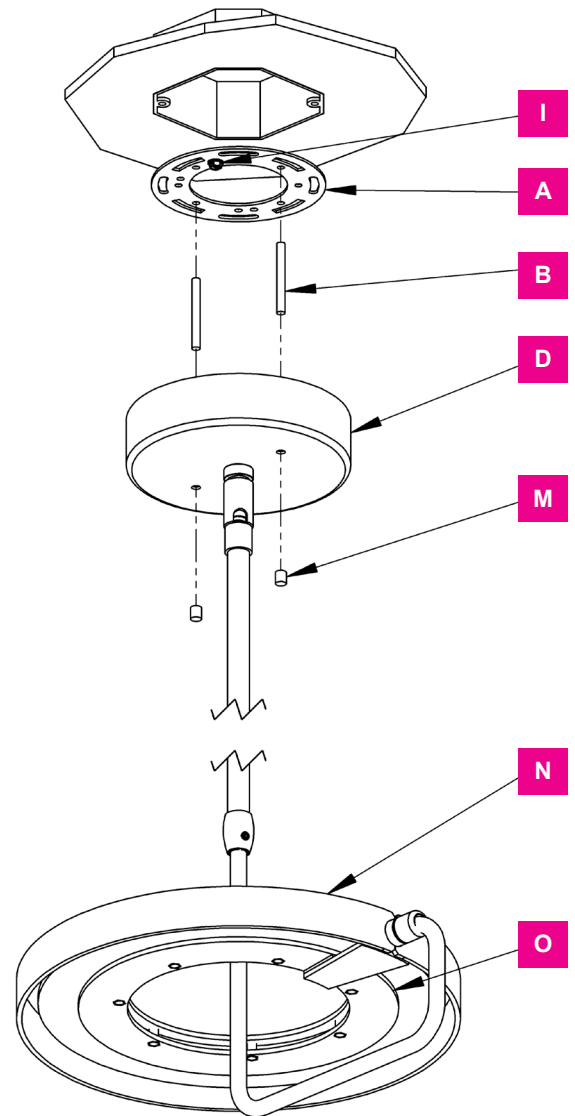
1. Thread studs (B) into appropriate holes in crossbar (A) to match holes in canopy (D).
2. Using two machine screws (not provided), fasten the crossbar (A) to the electric box with threaded studs (B) pointing downward (Figure 2).

**Note:** A new electric box comes with screws. When replacing a fixture, retain the existing screws for use with the new fixture.

3. Raise fixture close to the ceiling.
4. Using suitable wire connectors (not provided) connect fixture wires to supply (white to white and black to black). Attach a pigtail lead to the crossbar ground screw (I). Connect all ground wires (bare copper or green to bare copper or green).

**CAUTION: MAKE SURE WIRE CONNECTORS ARE TWISTED ON SECURELY, AND NO BARE WIRE IS EXPOSED.**

5. Slide canopy (D) over threaded studs (B) and push firmly to ceiling, making sure that no wires are pinched between fixture canopy (D) and ceiling. Fasten with knobs (M). Be sure studs (B) are fully seated in the knobs (M).
6. Decorative ring (N) and LED ring (O) can swivel until desired aesthetic is reached.
7. Restore electricity at main breaker.



(Figure 3)



If you need further assistance, or find that you are missing any parts, please contact the dealer from which you purchased this product. We hope you enjoy your fixture! \* Vermont Modern / Hubbardton Forge will not be liable for injury or damage caused by improper installation, lamping or use of this fixture.

Castleton, Vermont USA | VERMONTMODERN.COM

36918