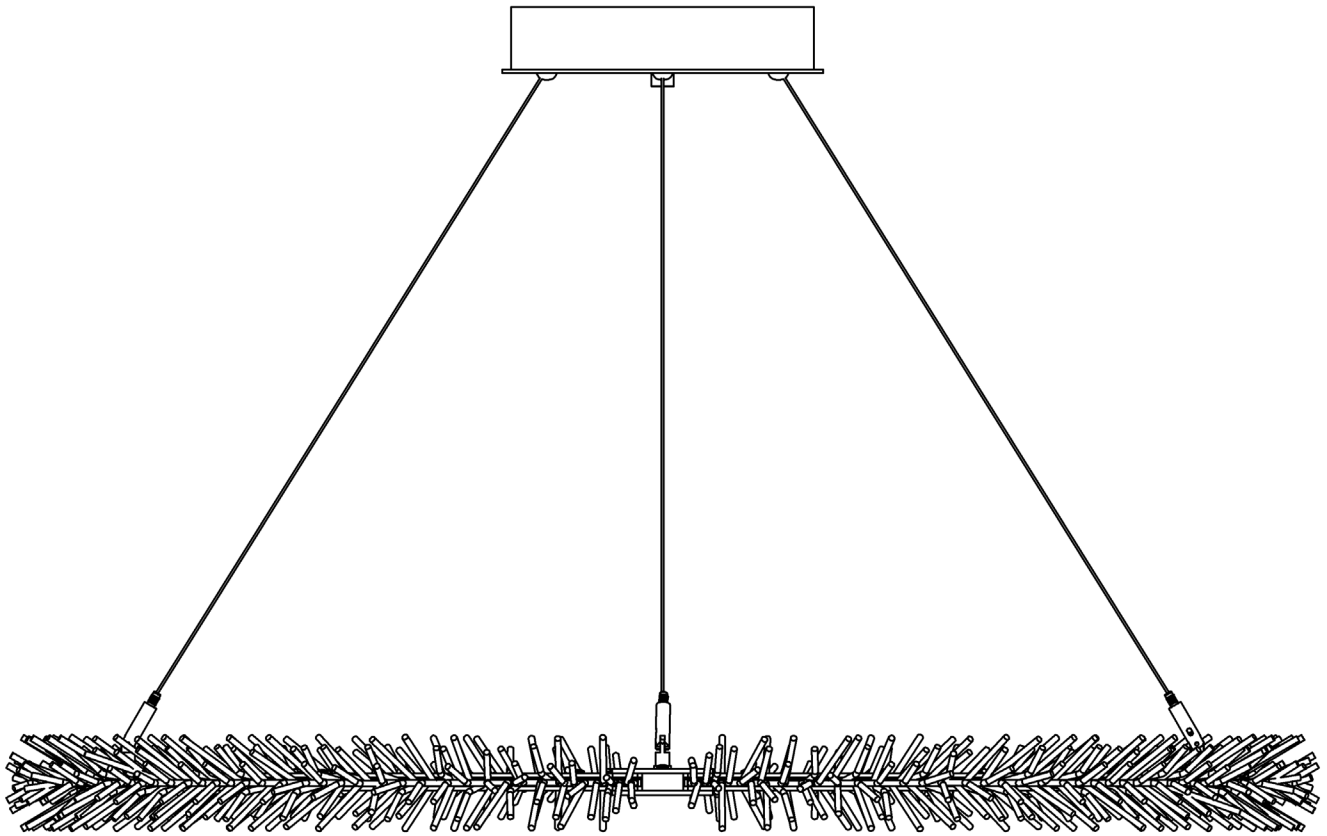


# Assembly & Installation Instructions

Anenome Pendant 139772D

A467



# Assembly & Installation Instructions

Anenome Pendant 139772D

---

A467

## Component Parts

- A. Canopy
- B. Canopy Cover Plate
- C. Cap
- D. Supply/Support Cable (4)
- E. Nut
- F. Nipple
- G. Fixture
- H. Gripper (4)
- I. Gripper Lock (4)



# Assembly & Installation Instructions

## Anenome Pendant 139772D

**CAUTION: FAILURE TO INSTALL THIS FIXTURE PROPERLY MAY RESULT IN SERIOUS PERSONAL INJURY OR DEATH AND PROPERTY DAMAGE.** We recommend installation by a licensed electrician. This product must be installed in accordance with applicable installation code(s), by a person familiar with the construction and operation of the product and the hazards involved.\*

Caution: Do not exceed maximum wattage noted on fixture. Use only recommended bulbs with fixture.

Please Note: After installation extra hardware and accessories are possible due to our kits are used on multiple products and options.

### To Install Canopy (Figure 1)

**CAUTION: BE SURE POWER IS OFF AT THE MAIN BREAKER BOX PRIOR TO INSTALLATION.**

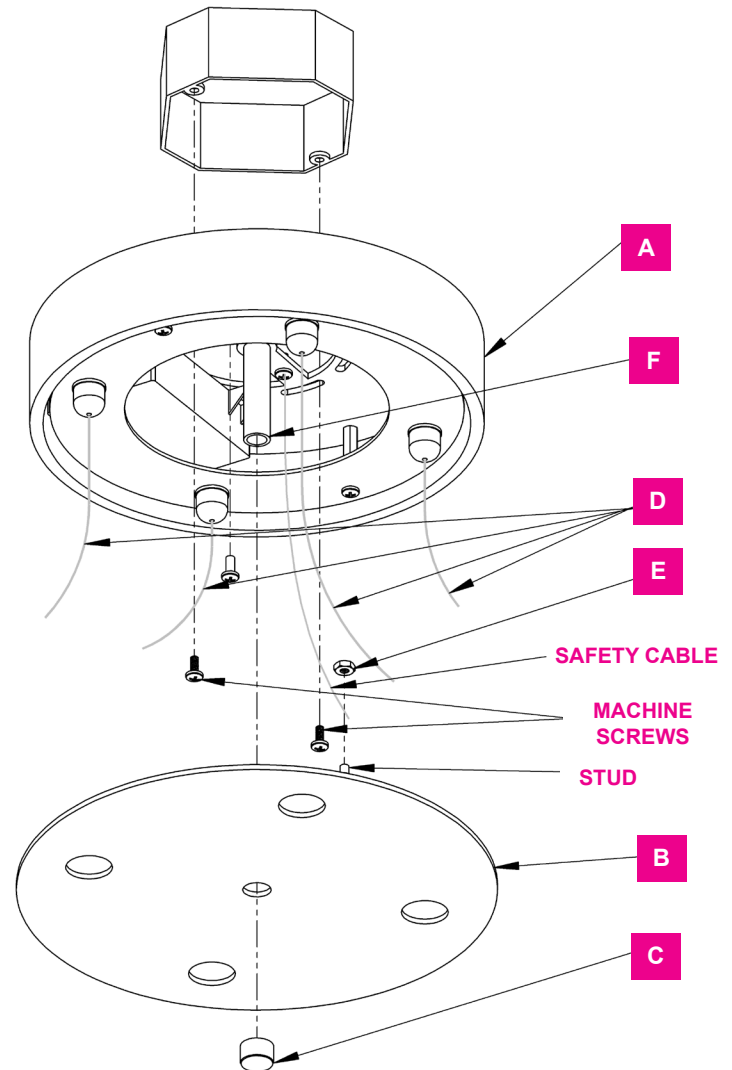
1. Carefully unpack the fixture from the carton.
2. Locate canopy assembly (A). Remove cap (C) and canopy cover plate (B) and set aside for use later.
3. To attach canopy (A) directly to the junction box:  
Thread the wires in the electrical box through the hole in the canopy (A) while moving the canopy into position. Using two machine screws (not provided) fasten canopy (A) to the electric box.

**Note:** A new electric box comes with screws. When replacing a fixture, retain the existing screws for use with the new fixture.

4. Remove nut (E) from stud on canopy cover plate (B). Slide end of safety cable over stud and reattach nut (E). The safety cable also acts as a ground for the canopy cover plate (B)
5. Using suitable wire connectors (not provided) connect transformer wires to supply wires (white to white and black to black). Connect all ground wires (bare copper or green to bare copper or green) together
6. Reinstall canopy cover plate (B) making sure the (+) and (-) labels on the cover are aligned with the labels on the canopy (A). Secure in place with cap (C).

**CAUTION: MAKE SURE WIRE CONNECTORS ARE TWISTED ON SECURELY, AND NO BARE WIRE IS EXPOSED.**

**Note:** Grey and purple driver wires are not used for this fixture.



(Figure 1)

Yeah, you got this!



vermont  
modern  
BY HUBBARDTON FORGE

Castleton, Vermont USA | VERMONTMODERN.COM

36643 A

# Assembly & Installation Instructions

A467

## Anenome Pendant 139772D

### To Complete Installation (Figure 3)

1. Align (+) and (-) labels on fixture (G) with (+) and (-) labels on canopy.
2. Slide gripper lock (I) onto support/supply cable (D).

**Note:** Gripper locks (I) are shipped in kit bag.

3. Insert support/supply cable (D) through gripper (H) until cable sticks through slot in side of gripper (H).
4. Repeat steps 2 & 3 with remaining cables (D).
5. Continue pulling cables (D) through grippers (H) until desired fixture height is achieved making sure to keep fixture level.

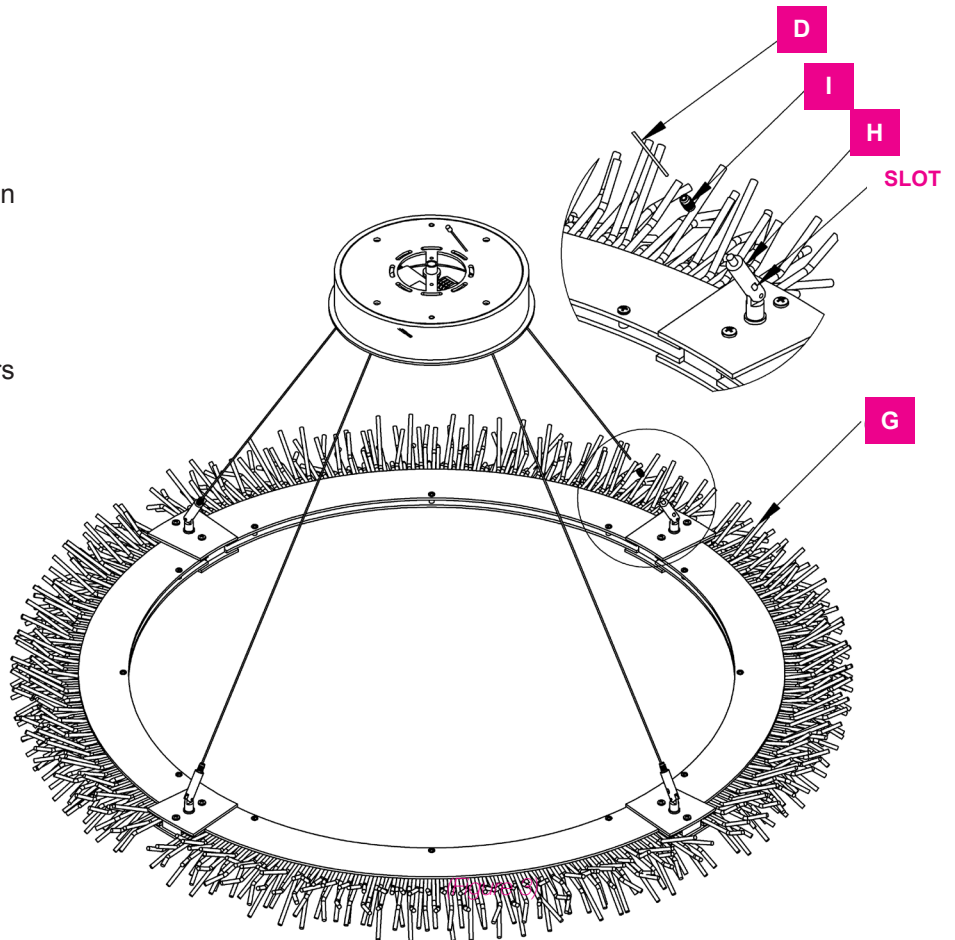
**Note:** If fixture needs to be lowered, push down on top of the canopy gripper to release cable.

6. Once desired height of the fixture (G) is achieved, thread gripper lock (I) back onto gripper (H) and cut off the excess cable (D) as close to the gripper (H) as possible.

**CAUTION:** BE SURE THAT NO PIECE OF THE SUPPORT CABLE IS TOUCHING THE FIXTURE

**CAUTION:** ONCE EXCESS CABLE IS CUT, FIXTURE CANNOT BE LOWERED

7. Restore electricity at main breaker.



vermont  
modern  
BY HUBBARDTON FORGE

If you need further assistance, or find that you are missing any parts, please contact the dealer from which you purchased this product. We hope you enjoy your fixture! \* Vermont Modern / Hubbardton Forge will not be liable for injury or damage caused by improper installation, lamping or use of this fixture.

Castleton, Vermont USA | VERMONTMODERN.COM

36643 A